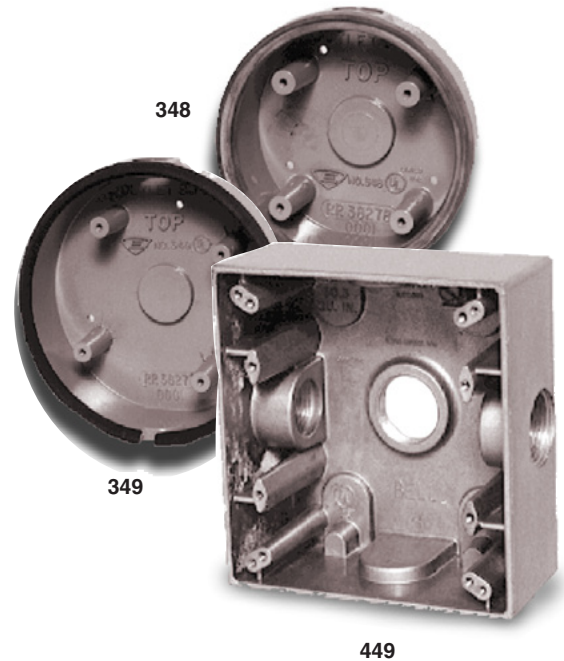


Weatherproof Mounting Boxes

Models 348/349/449



Overview

Edwards die-cast weatherproof backboxes are perfect for mounting a variety of Edwards signaling appliances such as bells, horns and sirens. They are made from die-cast aluminum and finished at the factory with a baked “Sage Gray” enamel finish. All boxes are shipped complete with a molded neoprene gasket. They all feature 3/4 inch tapped conduit entries.

Three models are available:

Catalog Number 348

– fits four inch (100mm) 325 and 340T bells

Catalog Number 349

– fits six inch (150mm) and 10 inch (250mm), 325 bells plus 5520D Horn/Siren

Catalog Number 449

– fits six inch (150mm), eight inch (203mm) and 10 inch (250mm) 438 and 439 series bells and CS405 strobes.

Standard Features

- Die-cast aluminum
- Surface mount
- Gray baked enamel finish
- Weatherproof gasket included

Detection & alarm since 1872

U.S.
T 888-378-2329
F 866-503-3996

Canada
Chubb Edwards
T 519 376 2430
F 519 376 7258

Southeast Asia
T : +65 6391 9300
F : +65 6391 9306

India
T : +91 80 4344 2000
F : +91 80 4344 2050

Australia
T +61 3 9239 1200
F +61 3 9239 1299

Europe
T +32 2 725 11 20
F +32 2 721 86 13

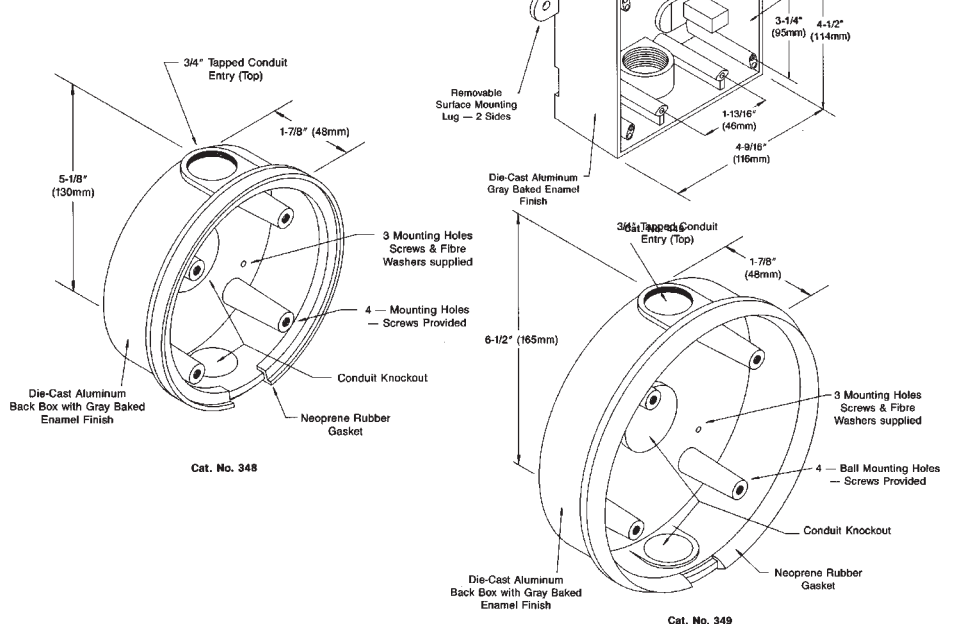
Latin America
T 305 593 4301
F 305 593 4300

utcfireandsecurity.com

© 2010 UTC Fire & Security.
All rights reserved.

Installation

Edwards recommends that these backboxes always be installed in accordance with the latest recognized editions of national and local fire alarm codes.



Specifications

Catalog Number	348	349	449
Dimensions	5-1/8" (130mm) Diameter x 1-7/8" (48mm) Deep	6-1/2" (165mm) Diameter x 1-7/8" (48mm) Deep	4-9/16" (116mm) Square x 2" (51mm) Deep
Conduit Entry	3/4" Top		3/4" Top, Back, Bottom
Material	Die Cast Aluminum		
Gasket	Molded Neoprene Rubber	Closed Cell Neoprene	
Finish	Sage Gray Baking Enamel		

Ordering Information

Catalog Number	Description	Shipping Weight
348	Weatherproof Backbox — Surface Mount with Gasket, 5-1/8" (130mm) Diameter	0.33 lb (0.15kg)
349	Weatherproof Backbox — Surface Mount with Gasket, 6-1/2" (165mm) Diameter	0.5 lb (0.2kg)
449	Weatherproof Backbox — Surface Mount with Gasket, 4-9/16" (116mm) Square.	0.33 lb (0.15kg)